

Hybridschrittmotoren - Ansteuerung M542

Standard Data

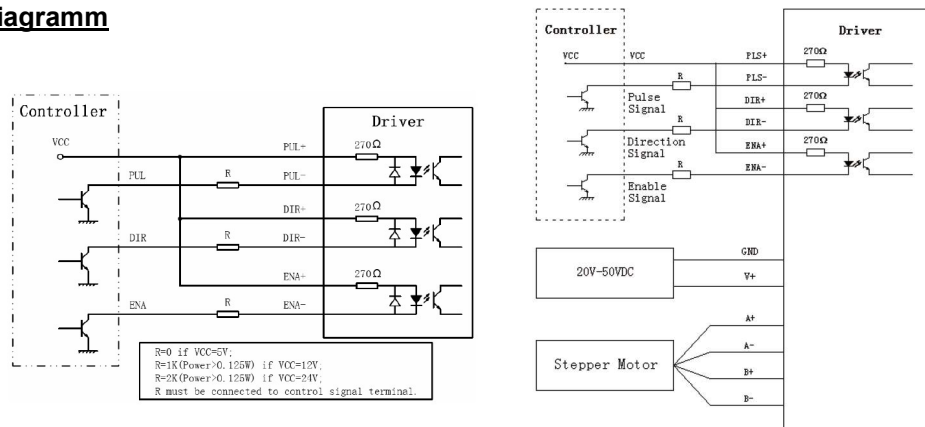
Model	M542
Rated voltage	24 - 50VDC
Rated current:	max. 4,2A (3A RMS)
Dimension	76 x 112 x 35mm
Ambient temperature	0...+50°C
Mounting	vertical preferred
Suitable for	up to series 86BLF...
Operation mode	bipolar / 2 phase stepper
max. pulse input frequency	300kHz (external pulse generator)



Features

enabling / disabling driver			(ENA+ / ENA-)
CW / CCW direction			(DIR+ / DIR-)
output current adjustable	1.0A ...4.2A	SW 1 - 2 - 3	(DIP switch)
pulse per revolution	400...25000	SW 5 - 6 - 7 - 8	(DIP switch)
Microstep	2...125	with 1.8° step motor	
Stand still current	50% or 100%	SW 4	(DIP switch)
Protection	short- & over voltage, over current & short circuit protection		

Wiring diagramm



Dimension

