

Hybrid stepper motor 14HY

Standard Data

Model	14HY1402	14HY3401	14HY3402	14HY4402	14HY5402
Weight [g]	120	160	160	200	230
Body lengths [mm]	28	34	34	42	52

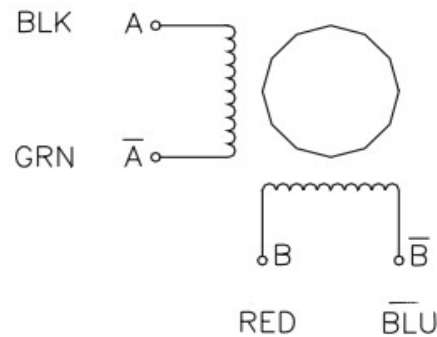
Performance Data

Rated Current [A]	0,8	0,42	0,8	0,8	0,8
Phase resistance [Ω]	5	25	6,5	10,5	14
Holding torque [cNm]	12	18	18	22	30
Detent torque [cNm]	0,8	1	1	1,5	2
Rotor inertia [gcm ²]	11	13	13	22	26

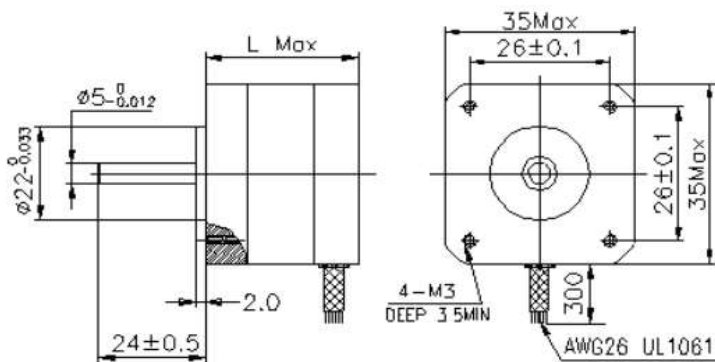
Shaft dimension	$\varnothing 5 \times 24\text{mm}$
Ambient temperature	-20...+50°C
Mounting	any
Lead wire lengths	300mm
Winding type	bipolar
Step angle	1.8°



Wiring diagramm



Dimension



Description:

Model	Motor Length
14HY2xxx	28mm
14HY3xxx	34mm