

Planetary geared brushless DC motor PG28BL28

Motor Data

Model	BL28126000	BL28246000
Rated voltage	12VDC	24VDC
Driver electronics	integriert	integrated
No load current [A]	0,18	0,09
No load speed [rpm]	6000	6000
Rated Current [A]	0,56	0,27
Rated speed [rpm]	5150	5150
Rated torque [mNm]	8	8
Rated power [W]	4,3	4,1
Max. output power [W]	8,2	8,1
Stall torque [mNm]	52	51
Stall current [A]	1,4	1,4

Gear Data

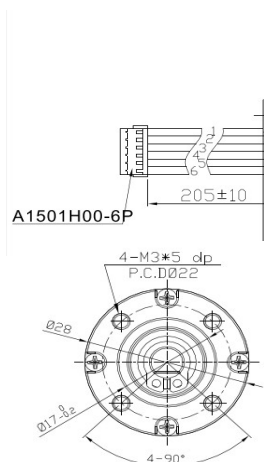
type of gear box	planetary
Housing	metal
Bearing at output	ball or sleeve
Torque	max. 5Nm
Shaft	Ø6x15mm



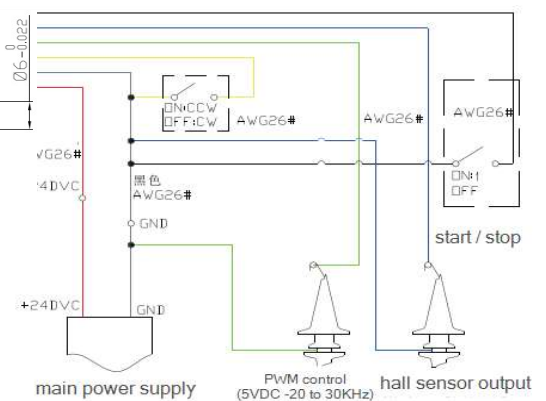
Ratios

Number of stages	1 stages reduction	2 stages reduction	3 stages reduction	4 stages reduction	5 stages reduction
Reduction ratio	3.3, 4.6	11.2, 15.5, 21.5	37.7, 52.1, 72, 100	126, 174, 241, 334, 462	423, 585, 810, 1120, 1549, 2142
Gearbox length "L" mm	20.2	25.9	31.7	37.5	43.3
Max. Gear Running torque	10.0kgf-cm	20.0kgf-cm	50.0kgf-cm	50.0kgf-cm	50.0kgf-cm
Max. Gear Breaking torque	20.0kgf-cm	60.0kgf-cm	150.0kgf-cm	150.0kgf-cm	150.0kgf-cm
Gearing efficiency	90%	81%	73%	65%	59%

Dimension



connection diagram



Planetary geared DC motor PG36M395

Motor Data

Model	RS-555124500	RS-555126000	RS-555244500	RS-555246000
Rated voltage	12VDC	12VDC	24VDC	24VDC
No load current [A]	0,2	0,32	0,11	0,14
No load speed [rpm]	4500	6000	4500	6000
Rated Current [A]	0,9	1,45	0,46	0,92
Rated speed [rpm]	3930	5244	3980	5300
Rated torque [mNm]	18	21	19	24
Rated power [W]	7,4	11,5	7,8	13,2
Max. output power [W]	17,5	27	20	32
Stall torque [mNm]	150	172	171	206
Stall current [A]	6	9,3	3,4	5,5

Gear Data

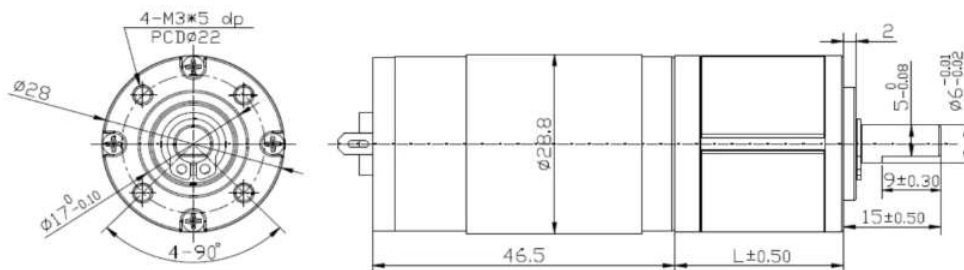
type of gear box	planetary
Housing	metal
Bearing at output	ball or sleeve
Torque	max. 10Nm
Shaft	Ø8 x 21mm



Ratios

Number of stages	1 stages reduction	2 stages reduction	3 stages reduction	4 stages reduction	5 stages reduction
Reduction ratio	3.7 , 5.2	13.7, 19.2 26.9	50.9 , 71.2 99.5 , 139	188, 264 , 369 516 , 721	699, 977 , 1367 1911 , 2672 , 3736
Gearbox length "L" mm	25.1	32.3	38.5	44.7	50.9
Max. gear running torque	20.0kgf-cm	50.0kgf-cm	100.0kgf-cm	100.0kgf-cm	100.0kgf-cm
Max. gear breaking torque	60.0kgf-cm	150.0kgf-cm	300.0kgf-cm	300.0kgf-cm	300.0kgf-cm
Gearing efficiency	90%	81%	73%	65%	59%

Dimension



Planetary geared DC motor PG45ZY45

Motor Data

Model	45ZY124500	45ZY126000	45ZY244500	45ZY246000
Rated voltage	12VDC	12VDC	24VDC	24VDC
No load current [A]	0,44	0,63	0,27	0,36
No load speed [rpm]	4500	6000	4500	6000
Rated Current [A]	2,05	4,15	1,34	2,05
Rated speed [rpm]	3710	5240	3850	5120
Rated torque [mNm]	48	61	49	65
Rated power [W]	17,8	31,9	18,8	33,2
Stall torque [mNm]	271	470	323	471
Stall current [A]	10,2	20,3	8,5	12,2

Gear Data

type of gear box	planetary
Housing	metal
Bearing at output	ball or sleeve
Torque	max. 20Nm
Shaft	Ø10 x 27mm



Ratios

Number of stages	1 stages reduction	2 stages reduction	3 stages reduction	4 stages reduction	5 stages reduction
Reduction ratio	3.7	10.2, 13.7 19.2	32.5 , 50.9 71.2.99.5	139, 188 , 264 369 , 516	699, 977 , 1367 1911 , 2672 , 3736
Gearbox length "L" mm	33.6	44.9	56.2	67.5	78.8
Max. Gear Running torque	50kgf-cm	100kgf-cm	200kgf-cm	200kgf-cm	200kgf-cm
Max. Gear Breaking torque	100kgf-cm	300kgf-cm	600kgf-cm	600kgf-cm	600kgf-cm
Gearing efficiency	90%	81%	73%	65%	59%

Dimension

