

DC motor DR1641

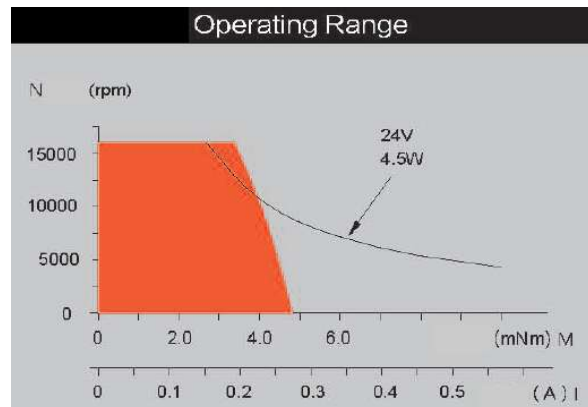
Standard Data

| Model | DR164112B | DR164124B | DR164136B | DR164148B |
|---------------------------|---------------|-----------|-----------|-----------|
| Rated voltage | 12VDC | 24VDC | 36VDC | 48VDC |
| Maximal permissible speed | 16000 | | | |
| Shaft dimension | Ø1,5 x 7mm | | | |
| Dimension | Ø16 x 41mm | | | |
| Ambient temperature | -20...+65°C | | | |
| Electrical connection | 2 x 5,4mm | | | |
| Axial play | 0,05 - 0,15mm | | | |
| Weight | 40g | | | |

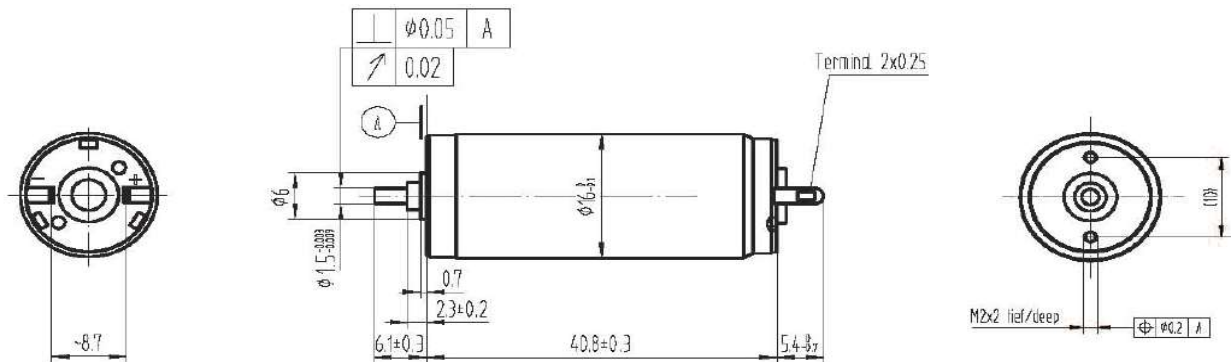


Performance Data

| | DR164112B | DR164124B | DR164136B | DR164148B |
|---------------------|--------------|--------------|--------------|--------------|
| No load current [A] | 0,026 | 0,016 | 0,014 | 0,012 |
| No load speed [rpm] | 13900 +/-10% | 14000 +/-10% | 14100 +/-10% | 14000 +/-10% |
| Rated current | 0,47 | 0,27 | 0,18 | 0,13 |
| Rated speed [rpm] | 11700 +/-10% | 11900 +/-10% | 12200 +/-10% | 12100 +/-10% |
| Rated torque [mNm] | 3,9 | 4,4 | 4,3 | 4,4 |
| Rated power [W] | 4,8 | 5,5 | 5,5 | 5,6 |
| Max. efficiency | 84% | 85% | 86,5 | 86,4 |
| Stall torque [mNm] | 28,3 | 33,3 | 36,3 | 37,3 |
| Stall current [A] | 3,43 | 2,03 | 1,49 | 1,14 |



Dimension



DC Motor DR3068

Standard Data

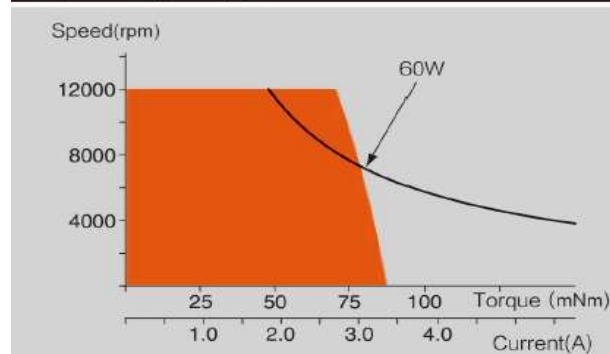
| Model | DR306812B | DR306824B | DR306848B |
|---------------------------|---------------|-----------|-----------|
| Rated voltage | 12VDC | 24VDC | 48VDC |
| Maximal permissible speed | 12000 rpm | | |
| Shaft dimension | Ø3 x 14,6mm | | |
| Dimension | Ø30 x 68mm | | |
| Ambient temperature | -30...+80°C | | |
| Electrical connection | 2 x 8,1mm | | |
| Axial play | 0,05 - 0,15mm | | |
| Weight | 260g | | |



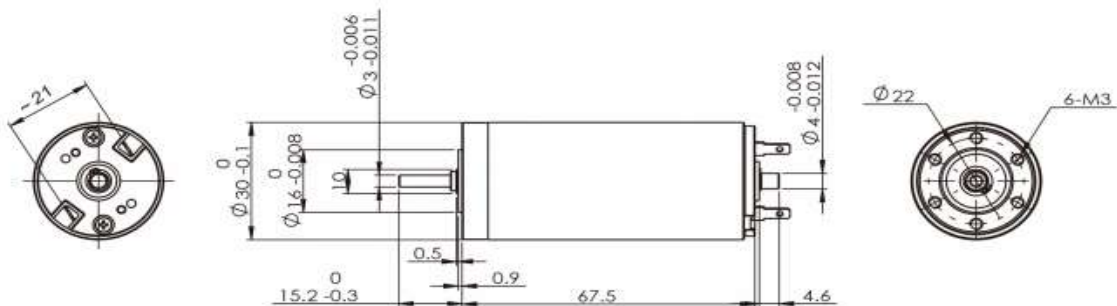
Performance Data

| | DR306812B | DR306824B | DR306848B |
|---------------------|-------------|-------------|-------------|
| No load current [A] | 0,35 | 0,15 | 0,11 |
| No load speed [rpm] | 7900 +/-10% | 8380 +/-10% | 8490 +/-10% |
| Rated current | 3,58 | 3,15 | 1,74 |
| Rated speed [rpm] | 7470 +/-10% | 7600 +/-10% | 7790 +/-10% |
| Rated torque [mNm] | 51,6 | 85,6 | 89,7 |
| Rated power [W] | 40 | 68 | 72 |
| Max. efficiency | 90% | 90% | 88 |
| Stall torque [mNm] | 865 | 669 | 919 |
| Stall current [A] | 60 | 24,6 | 17 |

Operating Range



Dimension



DC Motor DR3571

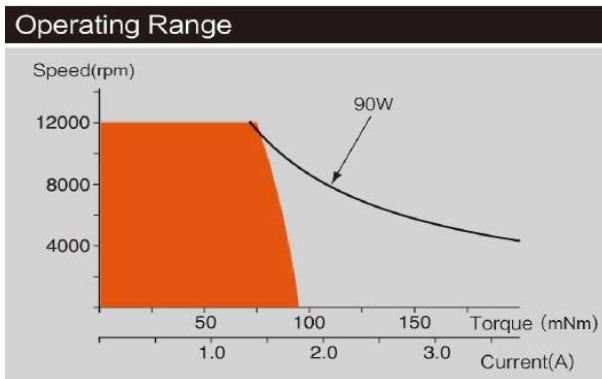
Standard Data

| | |
|---------------------------|------------------|
| Model | DR357124B |
| Rated voltage | 24VDC |
| Maximal permissible speed | 12000 |
| Shaft dimension | Ø3 x 20mm |
| Dimension | Ø35 x 71mm |
| Ambient temperature | -30...+80°C |
| Electrical Connection | 2 x 6,7mm |
| Axial play | 0,05 - 0,15mm |
| Weight | 340g |

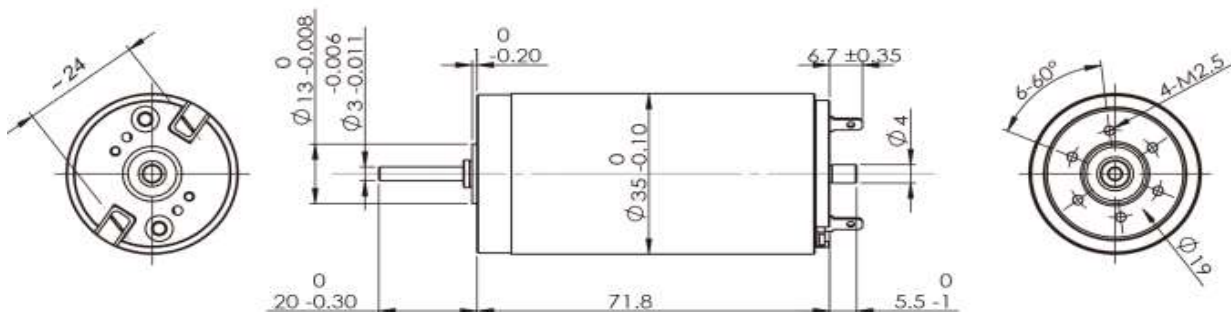


Performance Data

| | |
|---------------------|-------------|
| No load current [A] | 0,15 |
| No load speed [rpm] | 7000 +/-10% |
| Rated Current | 3,6 |
| Rated speed [rpm] | 5900 +/-10% |
| Rated torque [mNm] | 117 |
| Rated power [W] | 72 |
| Max. efficiency | 83% |
| Stall torque [mNm] | 715 |
| Stall current [A] | 22 |



Dimension



DC Motor DR4071

Standard Data

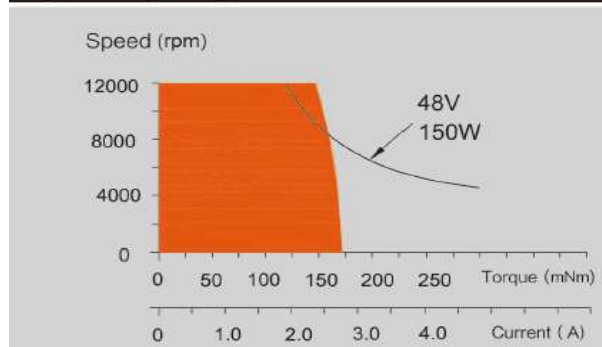
| Model | DR407124GK | DR407148GK-01 |
|---------------------------|---------------|---------------|
| Rated voltage | 24VDC | 48VDC |
| Maximal permissible speed | 12000 rpm | |
| Shaft dimension | Ø4 x 22mm | |
| Dimension | Ø40 x 72mm | |
| Ambient temperature | -30...+80°C | |
| Electrical connection | 2.8 x 8,5mm | |
| Axial play | 0,05 - 0,15mm | |
| Weight | 480g | |



Performance Data

| | | |
|---------------------|-------------|-------------|
| No load current [A] | 0,17 | 0,11 |
| No load speed [rpm] | 7600 +/-10% | 7960 +/-10% |
| Rated current [A] | 6,06 | 3,26 |
| Rated speed [rpm] | 7000 +/-10% | 7000 +/-10% |
| Rated torque [mNm] | 180 | 187 |
| Rated power [W] | 131 | 137 |
| Max. efficiency | 91% | 88% |
| Stall torque [mNm] | 1037 | 1246 |
| Stall current [A] | 68,8 | 21,7 |

Operating Range



Dimension

