

BLDC motor BL3650

Standard Data

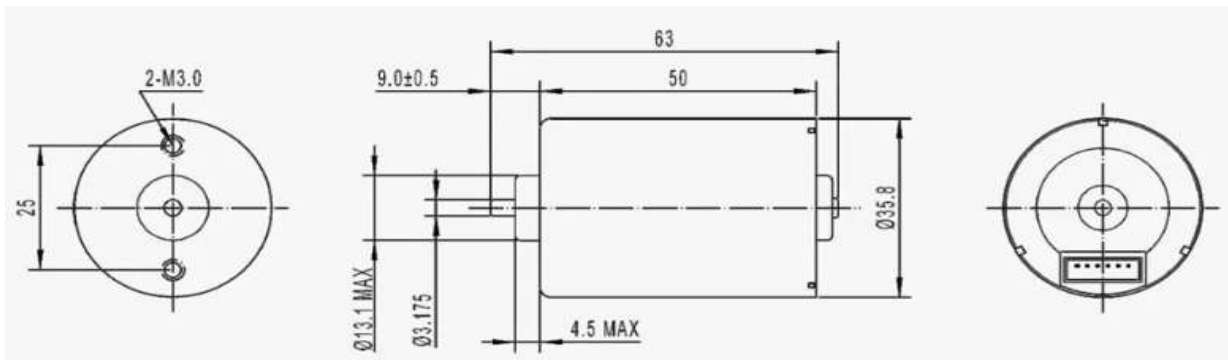
	15W	7W	26W
Model	BL3650-1261	BL3650-2440	BL3650-24194
Rated voltage	12VDC	24VDC	24VDC
Weight	0,19Kg	0,19Kg	0,19Kg
Dimension	Ø36 x 50 mm	Ø36 x 50 mm	Ø36 x 50 mm
Shaft dimension		Ø3,175 x 9mm	
Ambient temperature		-20...+50°C	
Mounting		any	
Lead wire lengths		connector - cable on request	
Winding type		3-phase star	
Insulation class		130	



Performance Data

Rated Current	0,192A	0,42A	0,161A
Rated speed [rpm]	4800	3400	15300
Rated torque	29mNm	20mNm	16mNm
Rated power	15W	7W	26W
Stall torque	141mNm	130mNm	77mNm
Torque constant	35mNm/A	36mNm/A	36mNm/A
All values measured at	20°C	20°C	20°C

Dimension



BLDC Motor 4260

Standard Data

	17W	18W
Model	BL4260-1250	BL4260-2450
Rated voltage	12VDC	24VDC
Weight	0,30Kg	0,30Kg
Dimension	Ø42 x 60 mm	Ø42 x 60 mm
Shaft dimension		Ø5x 14mm
Ambient temperature		-20...+50°C
Mounting		any
Lead wire lengths		connector - cable on request
Winding type		3-phase star
Insulation class		130



Performance Data

Rated Current	0,25A	0,13A
Rated speed [rpm]	3400	3550
Rated torque	50mNm	50mNm
Rated power	17W	18W
Stall torque	150mNm	170mNm
All values measured at	20°C	20°C

Dimension

