

DC Motor RS-380

Standard Data

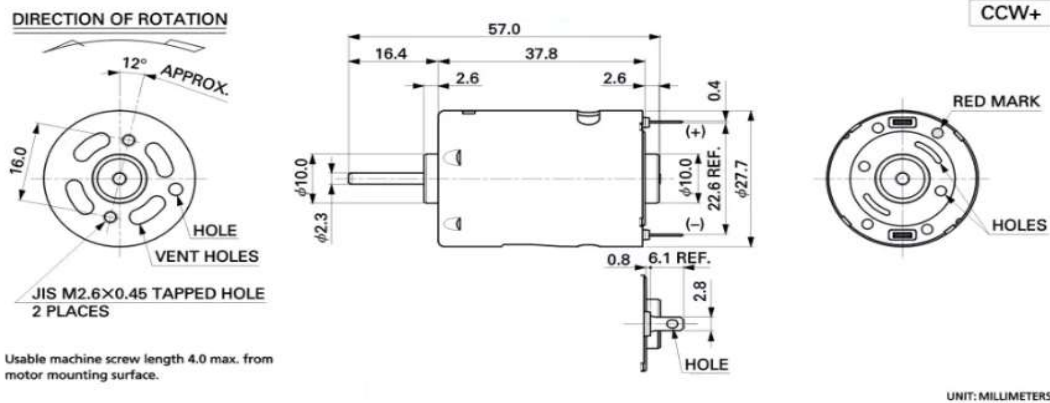
Model	RS-380SH-3750	RS-380SH-3557	RS-380SH-12300
Rated voltage	12VDC	12VDC	24VDC
Shaft dimension	Ø2,3 x 16,4mm		
Dimension	Ø28 x 38mm		
Ambient temperature	+15...+35°C		
Electrical connection	2,8 x 6mm		
Weight	~78g		



Performance Data

No load current	0,45	0,44	0,07
No load speed [rpm]	16500 +/-10%	21200 +/-10%	8000 +/-10%
Rated current [A]	1,96	2,85	0,31
Rated speed [rpm]	14000 +/-10%	18360 +/-10%	6540 +/-10%
Rated torque [mNm]	8,3	11	6,27
Rated power [W]	12,6	22	4,3
Max. output power [W]	30	46	7
Stall torque [mNm]	69	84	34,3
Stall current [A]	14,6	18,5	1,4

Dimension



DC Motor RS-545

Standard Data

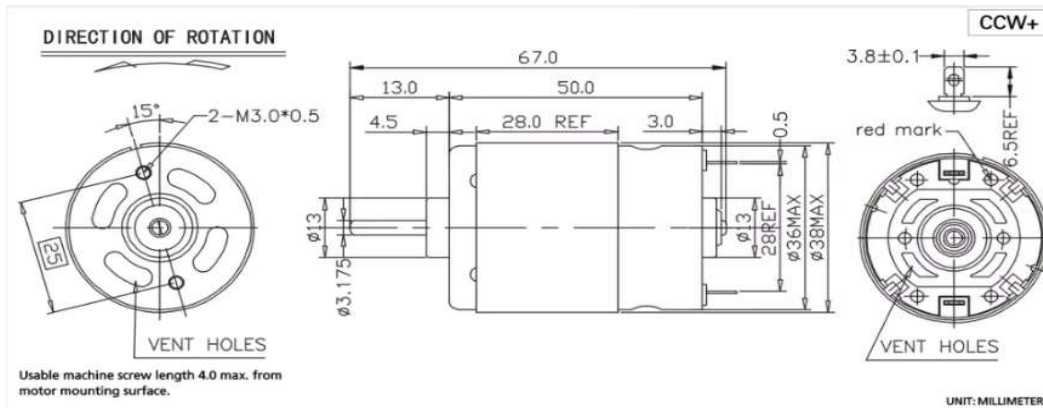
Model	RS-545SH-4522	RS-545SH-5018	RS-545SH-2485	RS-545SH-22105
Rated voltage	12VDC	12VDC	12VDC	24VDC
Shaft dimension	Ø3,175 x 13mm			
Dimension	Ø38 x 50mm			
Ambient temperature	+15...+35°C			
Electrical connection	3,8 x 6,5mm			
Weight	~160g			



Performance Data

No load current	1,3	1,3	0,17	0,16
No load speed [rpm]	27800 +/-10%	24000 +/-10%	5100 +/-10%	6500 +/-10%
Rated current [A]	6,14	7,65	0,75	0,72
Rated speed [rpm]	22940 +/-10%	20510 +/-10%	3900 +/-10%	5650 +/-10%
Rated torque [mNm]	19,4	31,1	12,7	22
Rated power [W]	46,5	67	5,2	12,8
Max. output power [W]	80	134	13	46
Stall torque [mNm]	111	214	53	136
Stall current [A]	29	45	2,6	4,8

Dimension



DC Motor RS-555

Standard Data

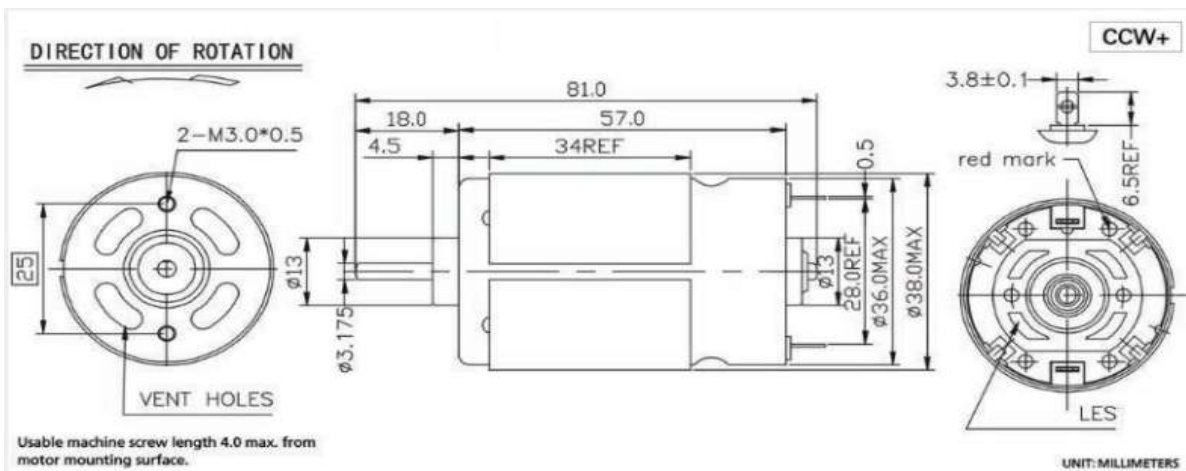
Model	RS-555SH-4033	RS-555SH-3550	RS-555SH-2770	RS-555SH-3348
Rated voltage	12VDC	12VDC	24VDC	24VDC
Shaft dimension	Ø3,175 x 18mm			
Dimension	Ø38 x 57mm			
Ambient temperature	+15...+35°C			
Electrical connection	3,8 x 6,5mm			
Weight	~220g			



Performance Data

No load current	0,35	0,17	0,18	0,25
No load speed [rpm]	8000 +/-10%	5300 +/-10%	9100 +/-10%	11400 +/-10%
Rated current [A]	1,79	1,2	1,2	1,67
Rated speed [rpm]	6980 +/-10%	4400 +/-10%	7700 +/-10%	10100 +/-10%
Rated torque [mNm]	22,5	19,2	28	30
Rated power [W]	16,6	9,3	22,7	32
Max. output power [W]	38	18	46	91
Stall torque [mNm]	181,3	130	195	306
Stall current [A]	15	7	7,5	17,3

Dimension



DC Motor RS-775

Standard Data

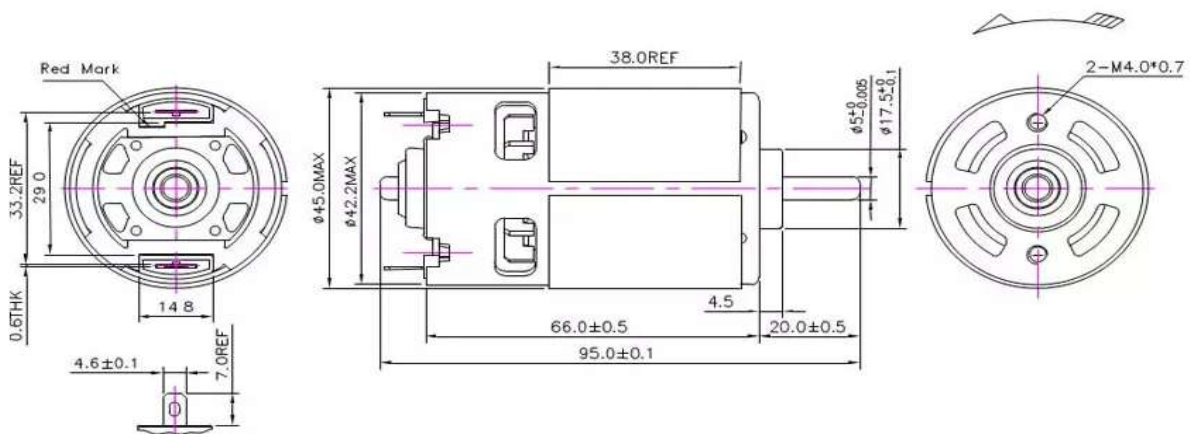
Model	RS-775SH-8013	RS-775H-9009	RS-775SH-5520
Rated voltage	12VDC	12VDC	24VDC
Operating range	6-12VDC	12-24VDC	12-24VDC
Shaft dimension		Ø5 x 20mm	
Dimension		Ø45 x 67mm	
Ambient temperature		+15...+35°C	
Electrical connection		4,6 x 7mm	



Performance Data

No load current	3	2,8	1,7
No load speed [rpm]	22000 +/-10%	21000 +/-10%	21000 +/-10%
Rated current [A]	15,8	21	10,7
Rated speed [rpm]	18760 +/-10%	18050 +/-10%	18410 +/-10%
Rated torque [mNm]	100	102	94
Rated power [W]	198	194	182
Max. output power [W]	482	443	392
Stall torque [mNm]	837	806	705
Stall current [A]	110	143	68

Dimension



DC Motor RS-887

Standard Data

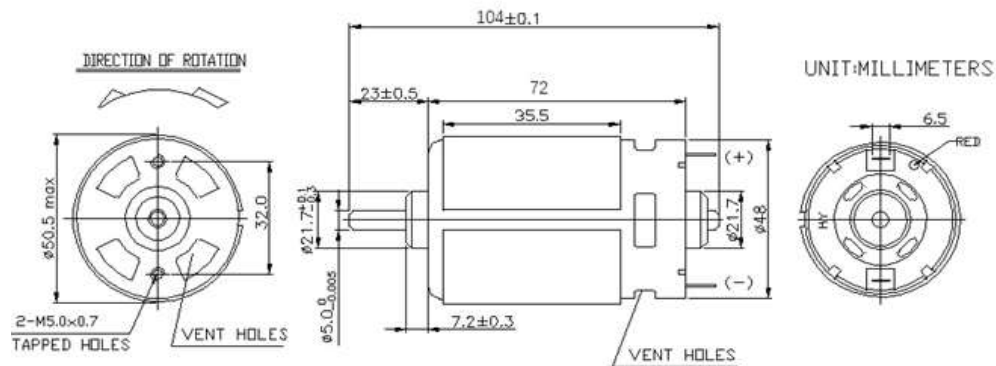
Model	RS-887-7510X2
Rated voltage	18VDC
Shaft dimension	Ø5 x 23mm
Dimension	Ø50,5 x 72mm
Ambient temperature	+15...+35°C

Performance Data

No load current [A]	5
No load speed [rpm]	22500 +/-10%
Rated current [A]	27
Rated speed [rpm]	19000 +/-10%
Rated torque [mNm]	210
Rated power [W]	402
Max. output power [W]	766
Stall torque [mNm]	1350
Stall current [A]	148



Dimension



Performance

